



STANDARD RADIUS ELBOWS

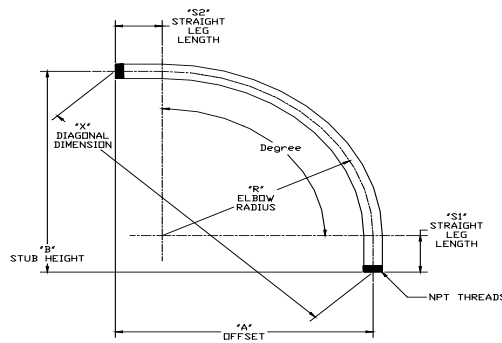
RIGID STEEL

Rigid - Applicable Specification: UL6

2/15/2018

Revision 6

B. Parks



RADIUS (IN.)		4	4 1/2	5 3/4	7 1/4	8 1/4	9 1/2	10 1/2	13	15	16	24	30
DEGREE	SIZE	1/2	3/4	1	1-1/4	1-1/2	2	2-1/2	3	3-1/2	4	5	6
11-1/4	LEG LENGTH	3 5/8	4	4 7/8	5 5/8	6 3/4	8 1/8	9	11 1/4	13 1/2	13 3/8	18 1/8	21 3/4
	UNBENT LENGTH	8	9	11	12 3/4	15	18	20	25	30	30	41	49 1/2
	DIAGONAL	8	9	11	12 3/4	14 7/8	17 7/8	19 7/8	24 7/8	29 7/8	29 7/8	40 7/8	49 1/4
	"A" OFFSET	3/4	7/8	1 1/8	1 1/4	1 1/2	1 3/4	2	2 1/2	2 7/8	2 7/8	4	4 7/8
	"B" STUB HEIGHT	7 7/8	8 7/8	10 7/8	12 5/8	14 7/8	17 7/8	19 7/8	24 3/4	29 3/4	29 3/4	40 5/8	49
15	LEG LENGTH	3 1/2	3 7/8	4 3/4	5 3/8	6 3/8	7 3/4	8 5/8	10 3/4	13	12 7/8	17 3/8	20 7/8
	UNBENT LENGTH	8	9	11	12 3/4	15	18	20	25	30	30	41	49 1/2
	DIAGONAL	8	8 7/8	10 7/8	12 5/8	14 7/8	17 7/8	19 7/8	24 3/4	29 3/4	29 3/4	40 5/8	49 1/8
	"A" OFFSET	1	1 1/8	1 3/8	1 5/8	2	2 3/8	2 5/8	3 1/4	3 7/8	3 7/8	5 1/4	6 3/8
	"B" STUB HEIGHT	7 7/8	8 7/8	10 7/8	12 1/2	14 3/4	17 3/4	19 5/8	24 5/8	29 1/2	29 1/2	40 3/8	48 3/4
22-1/2	LEG LENGTH	3 1/4	3 5/8	4 3/8	5	5 7/8	7 1/8	8	10	12	11 7/8	15 3/4	18 7/8
	UNBENT LENGTH	8	9	11	12 3/4	15	18	20	25	30	30	41	49 1/2
	DIAGONAL	7 7/8	8 7/8	10 7/8	12 1/2	14 3/4	17 3/4	19 5/8	24 5/8	29 1/2	29 1/2	40 3/8	48 3/4
	"A" OFFSET	1 1/2	1 3/4	2 1/8	2 1/2	2 7/8	3 1/2	3 7/8	4 3/4	5 3/4	5 3/4	7 7/8	9 1/2
	"B" STUB HEIGHT	7 3/4	8 5/8	10 5/8	12 1/4	14 1/2	17 3/8	19 1/4	24 1/8	28 7/8	29	39 1/2	47 3/4
30	LEG LENGTH	3	3 3/8	4	4 1/2	5 3/8	6 1/2	7 1/4	9 1/8	11 1/8	10 3/4	14 1/4	16 7/8
	UNBENT LENGTH	8	9	11	12 3/4	15	18	20	25	30	30	41	49 1/2
	DIAGONAL	7 3/4	8 3/4	10 3/4	12 3/8	14 5/8	17 1/2	19 1/2	24 1/4	29 1/8	29 1/8	39 7/8	48 1/8
	"A" OFFSET	2	2 1/4	2 3/4	3 1/4	3 3/4	4 1/2	5	6 1/4	7 1/2	7 1/2	10 3/8	12 1/2
	"B" STUB HEIGHT	7 1/2	8 1/2	10 3/8	12	14 1/8	16 7/8	18 3/4	23 1/2	28 1/8	28 1/8	38 1/2	46 1/2
45	LEG LENGTH	2 3/8	2 3/4	3 1/4	3 1/2	4 1/4	5 1/4	5 7/8	7 3/8	9 1/8	8 3/4	11 1/8	13
	UNBENT LENGTH	8	9	11	12 3/4	15	18	20	25	30	30	41	49 1/2
	DIAGONAL	7 1/2	8 1/2	10 3/8	12 1/8	14 1/8	17	18 7/8	23 5/8	28 3/8	28 3/8	38 7/8	46 7/8
	"A" OFFSET	2 7/8	3 1/4	4	4 5/8	5 3/8	6 1/2	7 1/4	9	10 7/8	10 7/8	14 7/8	18
	"B" STUB HEIGHT	7	7 7/8	9 5/8	11 1/8	13 1/8	15 3/4	17 1/2	21 7/8	26 1/8	26 1/4	35 7/8	43 3/8
60	LEG LENGTH	2 7/8	3 5/8	4 1/2	5 1/2	6 1/8	7 1/2	9 1/4	10 1/8	11 5/8	12 1/8	17 1/8	23 1/2
	UNBENT LENGTH	10	12	15	18 1/2	21	25	29 1/2	33 3/4	39	41	59 1/2	78 1/2
	DIAGONAL	9	10 3/4	13 1/2	16 3/4	19	22 1/2	26 1/2	30 1/2	35 1/8	37	53 3/4	70 3/4
	"A" OFFSET	4 1/2	5 3/8	6 3/4	8 3/8	9 1/2	11 1/4	13 1/4	15 1/4	17 5/8	18 1/2	26 7/8	35 3/8
	"B" STUB HEIGHT	7 7/8	9 3/8	11 3/4	14 1/2	16 3/8	19 1/2	23	26 3/8	30 1/2	32	46 5/8	61 1/4
90	LEG LENGTH	1 7/8	2 1/2	3	3 1/2	4	5	6 1/2	6 5/8	7 3/4	7 7/8	10 7/8	15 1/2
	UNBENT LENGTH	10	12	15	18 1/2	21	25	29 1/2	33 3/4	39	41	59 1/2	78 1/2
	DIAGONAL	8 1/4	9 7/8	12 3/8	15 1/4	17 3/8	20 5/8	24	28	32 1/8	33 7/8	49 3/8	64 1/2
	"A" OFFSET	5 7/8	7	8 3/4	10 3/4	12 1/4	14 1/2	17	19 5/8	22 3/4	23 7/8	34 7/8	45 1/2
	"B" STUB HEIGHT	5 7/8	7	8 3/4	10 3/4	12 1/4	14 1/2	17	19 5/8	22 3/4	23 7/8	34 7/8	45 1/2

*Dimensions shown are mathematical calculations based on the starting blank length and may vary due to manufacturing and process variation.